

OFMT05T3TN-ML

Product Images

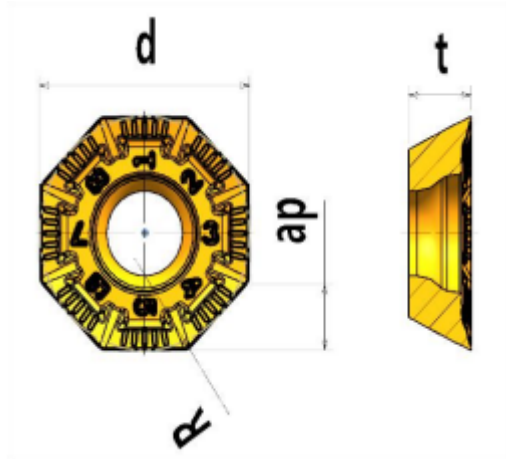


Summary

- Carbide plain inserts positive type

- Economical OFMT series inserts with 8 cutting edges
- Large rake angle design, smooth cutting
- Suitable for face milling

Content



Insert type&size	OFMT05T3TN-ML
d	12.7
t	3.76
r	0.5
ap	3.5
KAPR	43 Deg